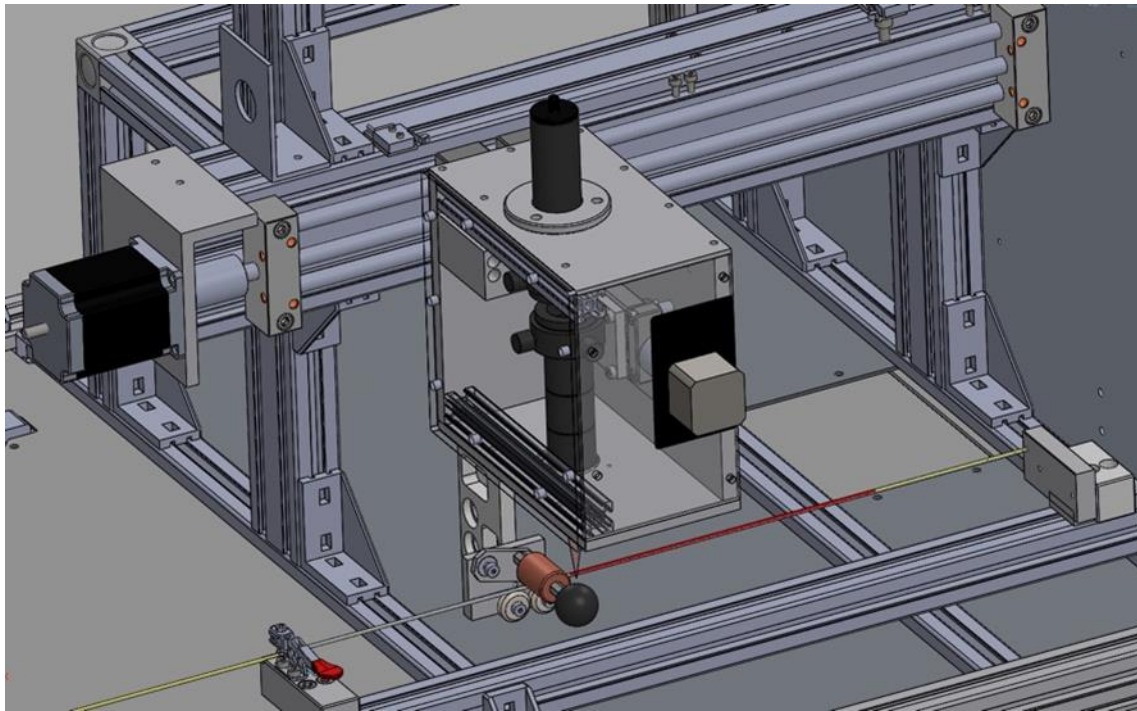


ADDS

Advanced Diode Delivery Systems



At DeBe Lasers we offer a range of bespoke laser services for industrial and manufacturing clients in all industry sectors. These include a variety of beam delivery systems, available with safety interlocking and turnkey control systems. Our Advanced Diode Delivery Systems can be used for a vast range of industrial applications

Each system is made to your specifications with a range of possible features and tools such as

electronic/software control systems, motorised spot size and focus height controls, RS232 interface, red pointing diode and variable cooling fan speed controls

Using our 40+ years combined experience in the laser industry, we can advise you on the best and most cost- effective solution for your business

Features

- 10 to 120W models available
- 808 – 980 nm wavelength
- 100 – 2000+ μm spot size
- Focus spot shaping and control

DeBe Lasers Ltd, Appley Court, Appley Wood Corner,
Haynes, Bedfordshire. MK45 3QQ. UK.

+44 (0) 1234 381107

sales@debe.co.uk

www.debe.co.uk

